

TAMPER-PROOF THERMOSTAT (PRE-SET)

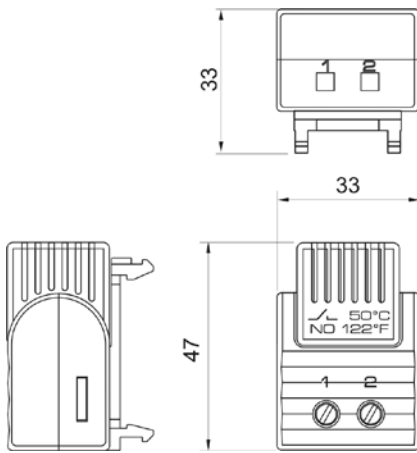
FTO 011 / FTS 011



- > Small size
- > Easy to install
- > Default temperature settings
- > High switching accuracy

Tamper-proof (Pre-set) Thermostat FTO 011: Contact breaker/NC (red casing) for regulating heaters or for switching signal devices when temperature has fallen below the minimum value. The contact opens when temperature is rising.

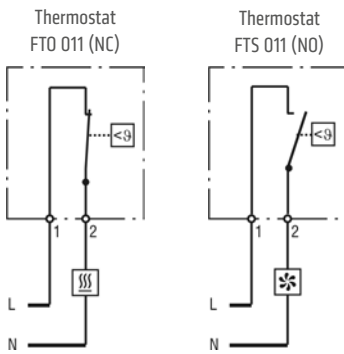
Tamper-proof (Pre-set) Thermostat FTS 011: Contact maker/NO (blue casing) for regulating filter fans, heat exchangers, cooling devices or for switching signal devices when temperature limit has been exceeded. The contact closes when temperature is rising.



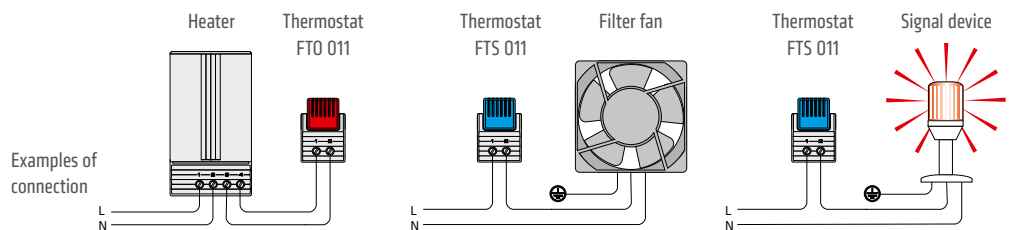
TECHNICAL DATA

Sensor element	thermostatic bimetal
Contact type	snap-action contact
Service life	> 100,000 cycles
Max. switching capacity	AC 250 V, 5 (1.6) A / AC 120 V, 10 (2) A DC 30 W
Max. inrush current	AC 16 A for 10 sec.
Connection	2-pole terminal, clamping torque 0.8 Nm max.: rigid/stranded ¹ wire 2.5 mm ² (AWG 14)
Mounting	clip for 35 mm DIN rail, EN 60715
Casing	plastic according to UL94 V-0, light grey
Dimensions	47 x 33 x 33 mm
Weight	approx. 30 g
Fitting position	variable
Operating/Storage temperature	-40 to +80 °C (-40 to +176 °F) / -45 to +80 °C (-49 to +176 °F)
Operating/Storage humidity	max. 90 % RH (non-condensing)
Protection type	IP20
Approvals	VDE, UL File No. E164102, EAC

Connection diagrams



- Heater
- Filter fan, Cooling equipment, Signal device



¹ When connecting with stranded wires, wire end ferrules must be used.

Art. No.	Contact	Switch-off temperature	Switch-on temperature
01160.0-00	Contact breaker (NC)	+15 °C / +59 °F (±5 K tolerance)	+5 °C / +41 °F (±5 K tolerance)
01160.0-01	Contact breaker (NC)	+25 °C / +77 °F (±5 K tolerance)	+15 °C / +59 °F (±5 K tolerance)
01160.0-05	Contact breaker (NC)	+10 °C / +50 °F (±5 K tolerance)	0 °C / +32 °F (±5 K tolerance)
Art. No.	Contact	Switch-on temperature	Switch-off temperature
01161.0-00	Contact maker (NO)	+50 °C / +122 °F (±7 K tolerance)	+40 °C / +104 °F (±6 K tolerance)
01161.0-01	Contact maker (NO)	+60 °C / +140 °F (±7 K tolerance)	+50 °C / +122 °F (±7 K tolerance)
01161.0-02	Contact maker (NO)	+35 °C / +95 °F (±7 K tolerance)	+25 °C / +77 °F (±6 K tolerance)

Note: Other switch-off and switch-on temperatures on request.